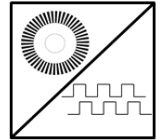




## GENERAL FEATURES

- Different stroke (measuring) lengths between 0...1000 mm and 0...4200 mm
- Incremental output
- Stainless steel measuring wire
- IP67 protection class
- Compact design
- Easy installation
- 2 m/s maximum speed
- Shock/Vibration resistant
- Aluminum body



AWE 404 series wire encoders convert linear motion into incremental digital pulses. They have different stroke lengths up to 4200 mm. Optionally other resolutions, cable lengths and socket connectors can be requested.

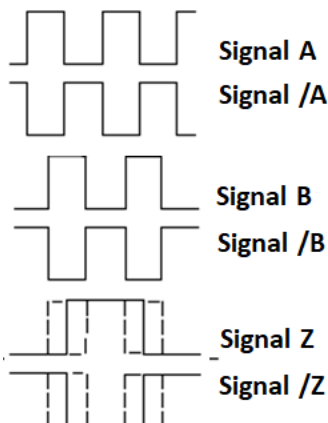
They make measurement by pulling and rewinding stainless steel wire. Usage is practical and usage area is quite wide. By connecting to a counter or position controller, they become a perfect system in high resolutions for position control in wood processing, marble machines, glass processing machines and other machines.

## TECHNICAL SPECIFICATIONS

<b>*Stroke Length</b>	Different measuring lengths between 0...1000 mm and 0...4200 mm		<b>Accuracy</b>	±0.25% FS
<b>*Resolution</b>	pulse/mm	mm/edge	<b>Maximum Speed</b>	2 m/s
	5 pulses/mm	0.05 mm	<b>Required force</b>	5 N
	10 pulses/mm (std)	0.025 mm (std)	<b>Max Output Current</b>	60 mA (per channel)
	20 pulse/mm	0.0125 mm	<b>Measuring Type</b>	Optical
<b>*Electrical Interface</b>		<b>Supply</b>	<b>*Electrical Connection</b>	5 or 8x0,14 mm <sup>2</sup> shielded cable M12 / 8 pin socket
	<b>PP</b>	10...30 VDC	<b>Output</b>	10...30 VDC Push-Pull
	<b>TTL</b>	5 VDC		5VDC TTL RS422 Line Driver
	<b>HTL</b>	10...30 VDC		5VDC TTL RS422 Line Driver
	<b>HPL</b>	5...30 VDC		5...30 VDC Push-Pull
<b>*Output Signals</b>	A,B,Z (standard)		<b>Materials</b>	Housing: Aluminum/steel /plastic Measuring Wire: Stainless steel
	A,B		<b>IP Protection Class</b>	IP67
	A,/A,B,/B		<b>Operating Temperature</b>	-25°C ... +85°C
	A,/A,B,/B,Z,/Z		<b>Relative Humidity</b>	%95
			<b>Weight</b>	≈1400 gr

**Note:** The technical specifications indicated by (\*) vary according to the selected model. The detailed code table is shown on page 3.

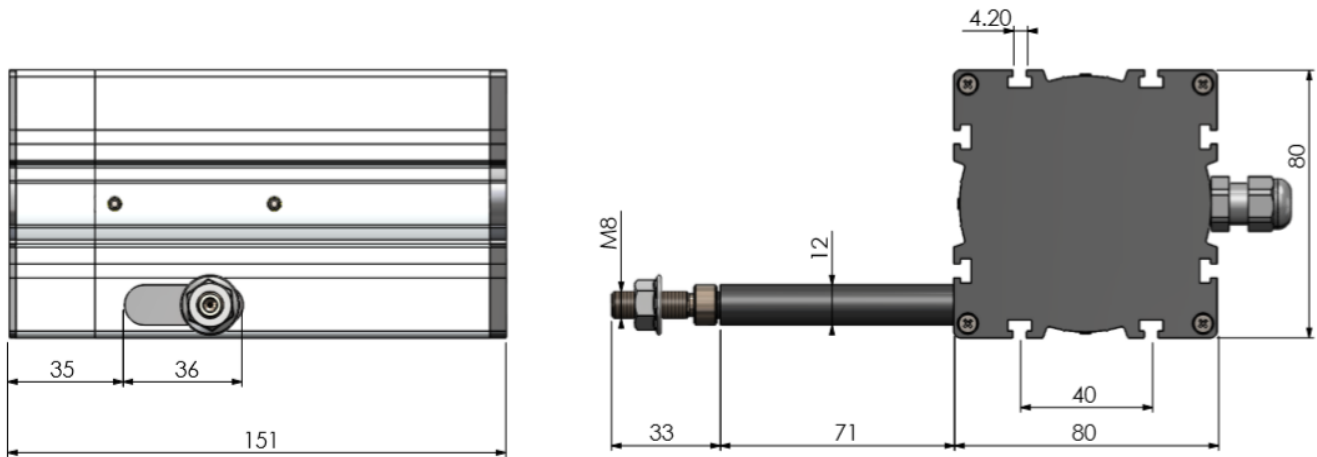
## ELECTRICAL CONNECTIONS



In the right table the cable colors of sensors output signals are given. If the control circuit is suitable in the Line Driver sensors of the not output signals (/A, /B, /Z) have to be added to the system. If it is not suitable /A, /B, /Z signal cables must be fixed as insulated separately. Don't forget that these edges have electricity too.

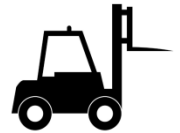
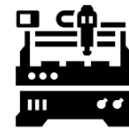
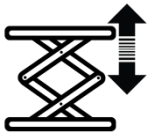
SIGNAL	CABLE COLOR	M12 SOCKET PIN NO
A	Yellow	1
B	Green	2
+V	Red	3
0V	Black	4
Z	Pink	5
/A	Blue	6
/B	White	7
/Z	Grey	8
EARTH	Silver	-

## MECHANICAL DIMENSIONS (mm)

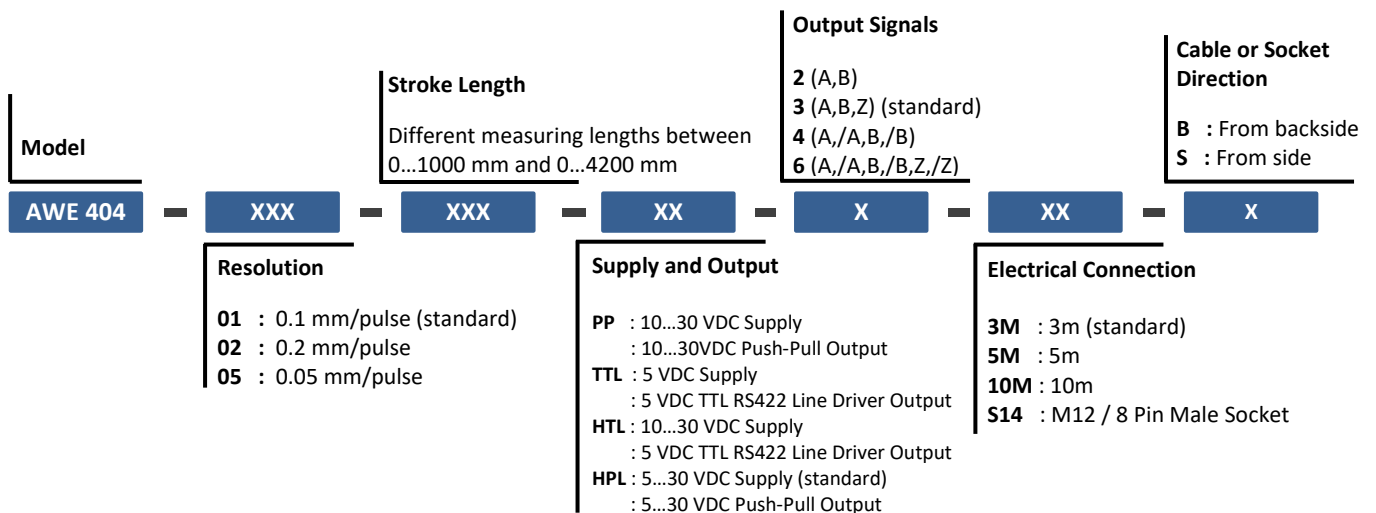


## SAMPLE APPLICATION FIELDS

- Elevators
- Press machines
- Crane systems
- Wood processing machines
- Marble processing machines
- Storage positioning
- Dam protections
- Sluice gate control
- Air compressors
- Glass processing machines
- Lifting platforms
- Applications in medical technologies (operating table etc.)
- Forklifts
- Screw machines
- Paper machines
- Sewing machines
- Hydraulic machines
- Sheet metal machines
- Printing machines
- Horizontal control equipments
- Construction machines
- Industrial robots
- Injection machines
- X-Y axis displacement
- Liquid level measurements and position control



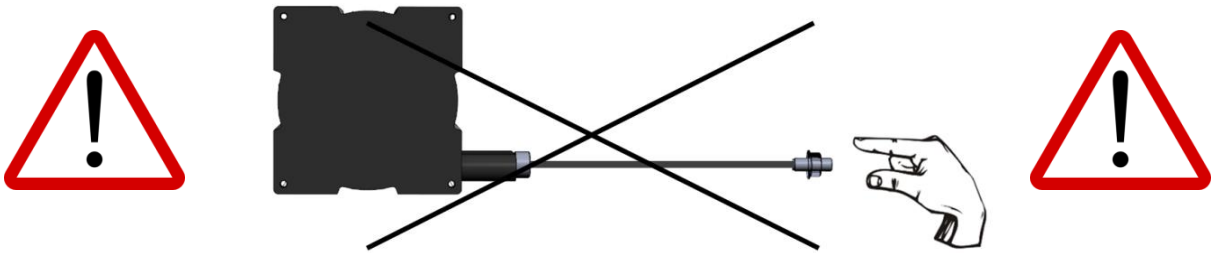
## ORDER CODE



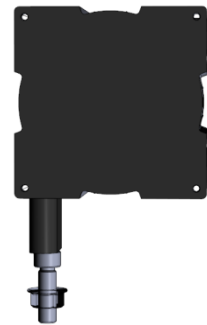
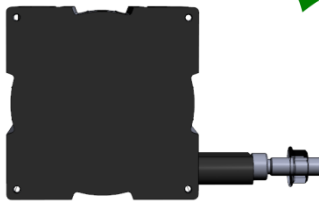
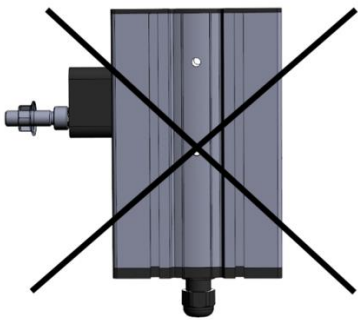
\*Please contact for other (customized) options.

## MOUNTING AND WARNINGS

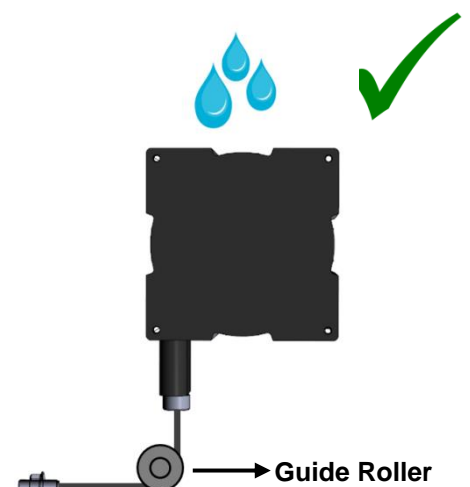
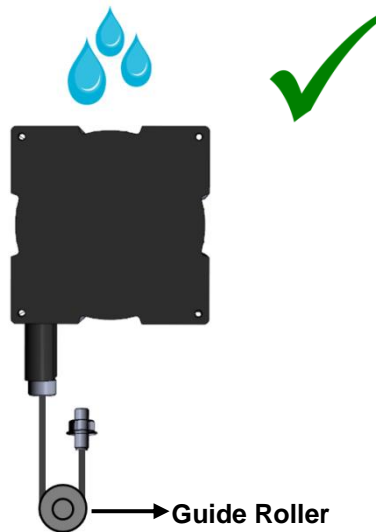
1. Never release the wire after pulling. Otherwise, the coil spring will be damaged.



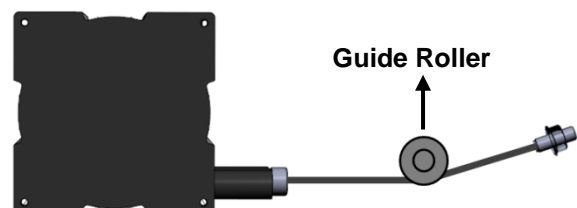
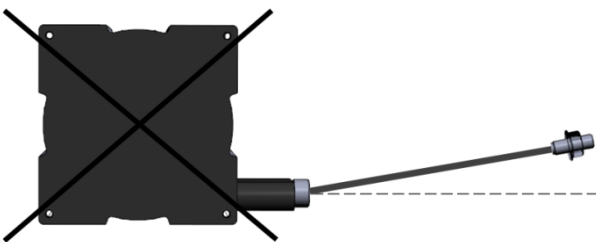
2. Mount the sensor according to the mounting directions shown below.



3. If there is a trickle of water (like a rain), the wire outlet must not be a drip of water upstream. If needed please use guide rollers.



4. The wire should not be pulled in angular. If needed, please use guide rollers.



**Important Note(!): Failure to comply with these recommendations, the malfunctions that may occur will not be under the warranty.**

فروشگاه کانون ابزار

Atek Sensor Technologies

تلفن : 021 66 39 39 00  
موبایل : 0912 147 3023  
www.ali5.ir



Tuzla KOSB Organize Sanayi Bolgesi Melek Aras Bulvari, No:67 34956 Tuzla-Istanbul / TURKEY



Tel: +90 216 399 44 04



Fax: +90 216 399 44 02



[www.ateksensor.com](http://www.ateksensor.com)



[info@ateksensor.com](mailto:info@ateksensor.com)