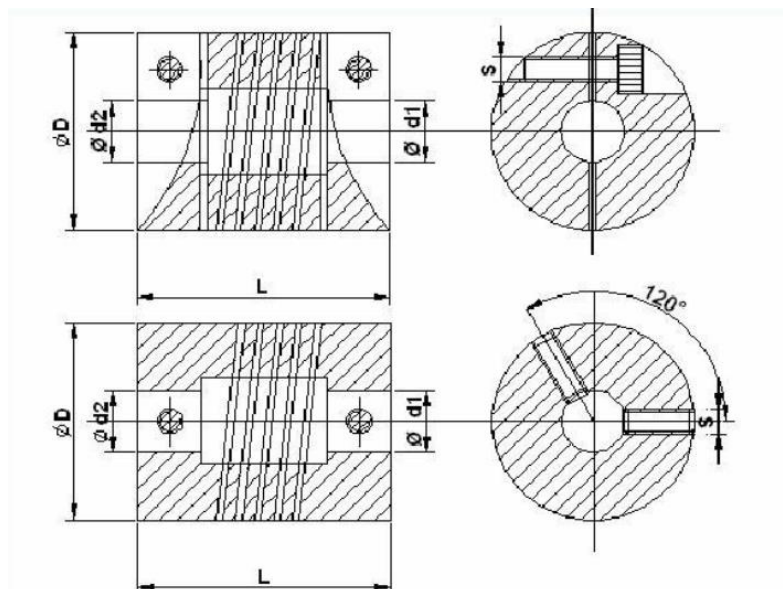




- One Piece
- Aluminium Body
- 6-6, 8-8, 6-8, 8-10 mm and Other Models
- High torque and speed transmission
- Squeezed clamped system
- Long life, durable
- Ideal for encoder and other connection applications

Mechanical Dimensions



Order Code

Model

H T - X X - X - X - L = X X

Outside Diameter

16: 16 mm
20: 20 mm
25: 25 mm

Major and Minor Bore Size

6 - 6 : 6mm - 6mm
8 - 8 : 8mm - 8mm
10 - 10 : 10mm - 10mm (Only 25 mm body diameter models)
6 - 8 : 6mm - 8mm
8 - 10 : 8mm - 10mm (Only 25 mm body diameter models)

L = Length

24 = 24 mm
28 = 28 mm
32 = 32 mm