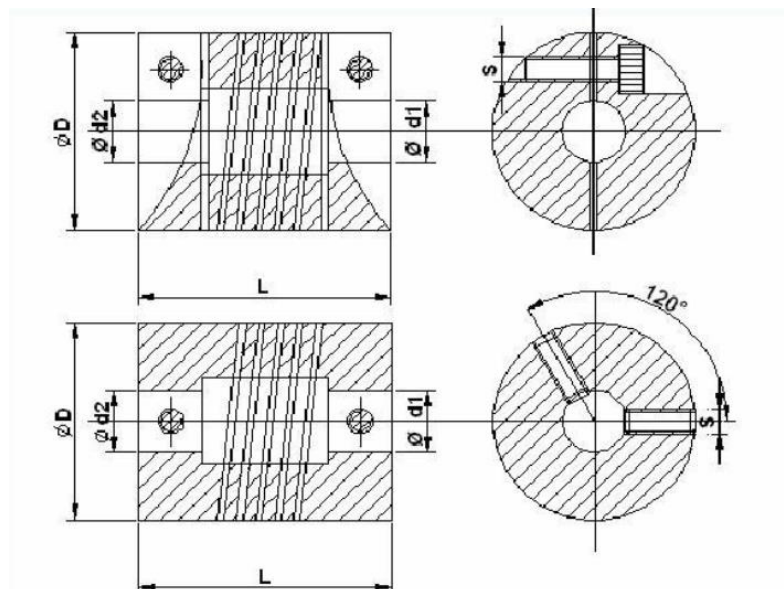




- One Piece
- Aluminium Body
- 6-6, 8-8, 6-8, 8-10 mm hole diameter and other models
- High torque and speed transmission
- Set screw system
- Long life, durable
- Ideal for encoder and other connection applications

Mechanical Dimensions



Order Code

Model

1. and 2. Hole Size

6 - 6	: 6mm - 6mm
8 - 8	: 8mm - 8mm
10 - 10	: 10mm - 10mm (Only 25 mm Body Diameter Models)
6 - 8	: 6mm - 8mm
8 - 10	: 8mm - 10mm (Only 25 mm Body Diameter Models)

H C - X X - X - X - L = X X

Body Diameter

16: 16 mm
20: 20 mm
25: 25 mm

L = Length

24 = 24 mm
28 = 28 mm
32 = 32 mm