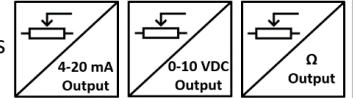




GENERAL FEATURES

- Spring system
- Potentiometric measurement
- Potentiometric, 4-20 mA or 0-10V analog output options
- Standard IP40, optional IP65 protection
- Optionally cable or DIN 43650-C socket connection
- Measurement lengths between 10 mm and 150 mm
- Long life up to 100 million movements
- High accuracy
- High operating speed up to 5 m/s
- Compact design



LFR series is the industry proven system on both actuator shaft and spring.

They work as ABSOLUTE because they are measuring with the potentiometric principle, that is, they do not lose their position in case of power off. Potentiometric, 4-20 mA (optional 0-20 mA) or 0-10V analog output options are available.

Because of their linearized conductive plastic resistance alloy and special contacts, they are not affected by wear and operate for a long time with a life cycle of up to 100 million. They are stable by being linear and they measure evenly.

TECHNICAL SPECIFICATIONS

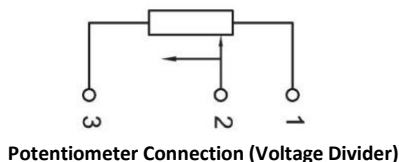
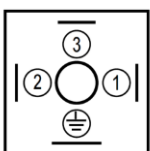
Model	LFR 010	LFR 025	LFR 050	LFR 075	LFR 100	LFR 125	LFR 150
Electrical Stroke (mm)	10	25	50	75	100	125	150
Mechanical Stroke (mm)	12	27	52	77	102	127	152
Independent Linearity	±%1	±%0,5	±%0,4	±%0,25	±%0,2	±%0,2	±%0,2
Repeatability	0.01 mm						
Max Operating Speed	5 m/s						
Resistance Element	Conductive Plastic						
Resistance	5K, 10K (optional other)						
Output Signal	4-20 mA (optional 0...20 mA), 0-10V or Potentiometric						
Supply Voltage	For current and voltage output models: 12...30 VDC For potentiometric output model: 42V max.						
Electrical Connection	DIN 43650-C socket or 3 x 0,14 mm ² shielded PVC cable						
Operating Temperature	-30°C...+100°C						
IP Protection Class	IP40 (optional IP65)						
Life	100 million movements						
Rod Material	Stainless Steel						
Body Material	Aluminum						

ELECTRICAL CONNECTION

SIGNAL	CABLE COLOR	DIN 43650-C SOCKET
+VDC	Red	Pin 1
Output Signal*	Yellow	Pin 2
-VDC	Black	Pin 3

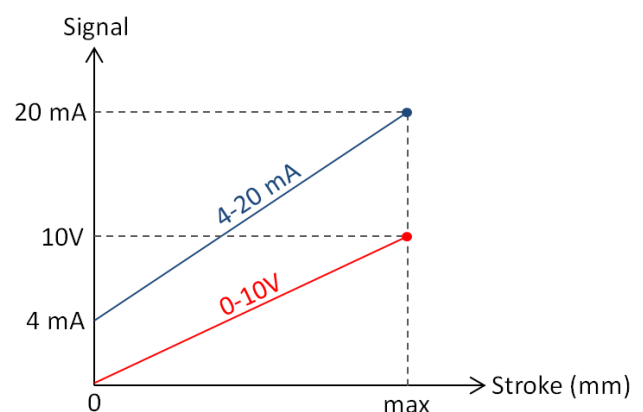
* Output Signal may be potentiometric, 0-10 VDC or 4-20 mA depending on the model (See Product code table).

DIN 43650-C SOCKET



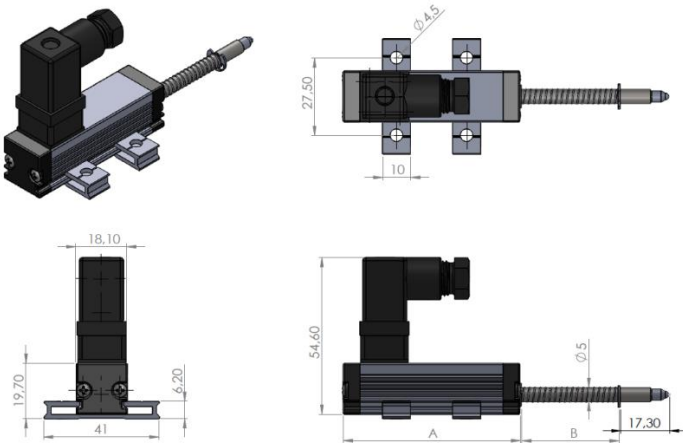
Note: The GND line of the feed and signal output is common. Therefore it can be connected with 3-wire cable

Analog Output Signal Graphic

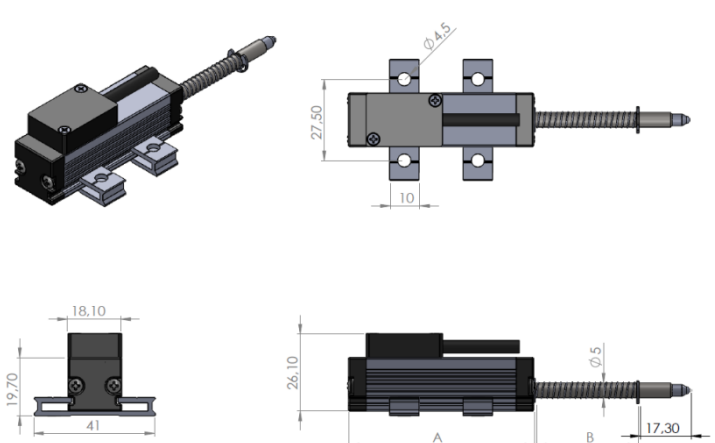


MECHANICAL DIMENSIONS (mm)

MODEL WITH DIN 43650-C SOCKET



MODEL WITH 3 x 0,14 mm² CABLE

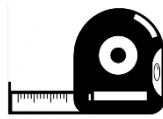
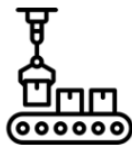


	Stroke (mm)	10	25	50	75	100	125	150
Potentiometric Output (with cable or socket)	A	48	63	88	113	138	163	188
	B	15,5	34,5	65,5	96,5	127,5	161,5	192,5
0-10 V or 4-20 mA Output (with cable)	A	48	63	88	113	138	163	188
	B	15,5	34,5	65,5	96,5	127,5	161,5	192,5
0-10 V or 4-20 mA Output (with socket)	A	82	97	122	147	172	197	222
	B	15,5	34,5	65,5	96,5	127,5	161,5	192,5

*Dimensions above belong to IP40 body. Ask for IP65 body dimensions.

SAMPLE APPLICATION FIELDS

- Measuring /control technology
- Manufacturing engineering like woodwork machines, riveting machines, packaging machines and welding machines etc.
- Assembly / test devices
- Medical applications
- Building technology



ORDER CODE

Model No

LFR	-	XXX	-	X	-	XX	-	XX	-	XXXX
Measuring Lengths (stroke)				Resistance Value			Protection			
Different measuring lengths between 10 mm and 150 mm				5K: 5KΩ 10K: 10KΩ			No code: IP40 IP65: IP65			

Output Signal

A: 4-20 mA (*Optional 0-20 mA)
V: 0-10 VDC
No Code: Potentiometric

Electrical Connection

No Code: DIN43650-C socket
2M: 2 meters PVC cable (standard)
(*Optionally different cable lengths)

فروشگاه کانون ابزار

Atek Elektronik Sensör Teknolojileri Sanayi ve Ticaret A.Ş.

تلفن : 021 66 39 39 00
موبایل : 0912 147 3023
www.ali5.ir

Gebze OSB, 800. Sokak, No:814 Gebze/KOCAELI/TURKEY

Tel: +90 262 673 76 00

Fax: +90 262 673 76 08

www.ateksensor.com

info@ateksensor.com