



- Optical measurement
- Measuring lengths between 50 mm and 1000 mm
- High resolution up to 1 μ m
- ± 10 μ m accuracy
- 5 ball bearing system
- Single or double seal protection
- 5 VDC TTL quadrature or 1vpp sinusoidal signal
- Easy mounting
- 60 m/min traveling speed

ALS series optical linear encoder systems are protected from factors such as dust, shavings, dirt and coolant with its compact design. ALS4 series, which has optical measuring principle with glass ruler, can measure between 50 and 1000 mm.

APPLICATIONS

- | | | |
|---|--|--|
| <ul style="list-style-type: none"> • Manual Benches • Press Brakes and Bending Machines • Robotic / Material Packaging | <ul style="list-style-type: none"> • Linear Bearing Systems • Automation and Robotic Applications • Textile Machinery | <ul style="list-style-type: none"> • Transfer Machines • Turning, Milling • Woodworking machines etc. |
|---|--|--|

TECHNICAL FEATURES

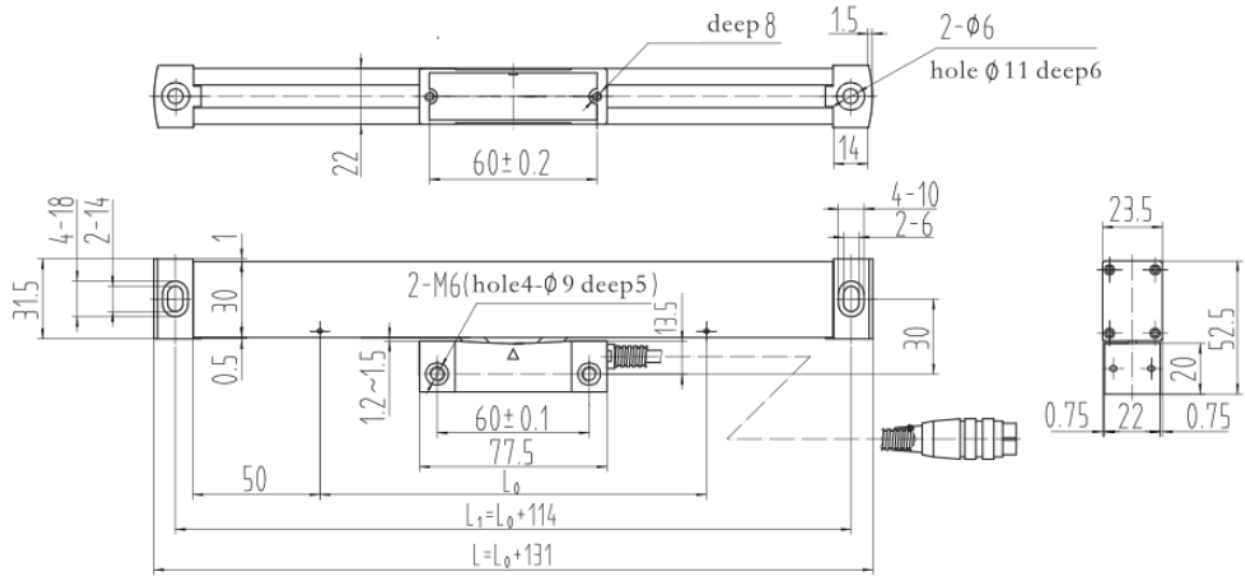
Measuring Principle	Optical	Reference Mark	1 Reference Mark every 50 mm
Measuring Lengths	Different lengths from 50 mm to 1000 mm	Body Material	Aluminum
Resolution	1 μ m, 5 μ m, or 1Vpp Sinusoidal	Operating Temperature	0°C...50 °C
Signal Period	20 μ m	Storage Temperature	-20°C...70 °C
Accuracy	± 10 μ m	Protection Class	IP54
Repeatability	± 1 pulse	Electrical Connection	Spiral cable and Socket (for TTL signal: D-SUB 9 pin male socket / Sine signal for: M16 8 pin female socket)
Max traveling speed	60m/min		
Supply Voltage	5 VDC	Max. Cable Length	50 – 500 mm (3m armored cable) 600 – 2000mm (5m armored cable)
Output Type	5VDC TTL Quadrature or 1Vpp Sinusoidal		
Output Signals	TTL: A, /A, B, /B, Z, /Z		

ELECTRICAL CONNECTIONS

Pin No	CABLE COLOR	D-SUB 9 PIN SOCKET	M16/8 PIN FEMALE SOCKET
		TTL SIGNAL	SINUS SIGNAL
1	WHITE	A	0°
2	BROWN	/B	180°
3	RED	+5VDC	+5VDC
4	BLACK	0V-GND	0V-GND
5	BLUE	/A	90°
6	GREEN	B	270°
7	YELLOW	/Z	Z
8	GREY	Z	-
9	-	Shield	Shield

In the table, the cable colors of sensors output signals are given. If the control circuit is suitable, in the line driver sensors, the not signals (/A, /B, /Z) have to be added to the system. If it is not suitable /A, /B, /Z signal cables must be fixed as insulated separately. Don't forget that these edges have electricity too.

MECHANICAL DIMENSIONS



- L₀**: Measuring Length (mm) (different lengths from 50 to 1000 mm)
L₁: Distance between mounting holes (mm)
L: Body Length (mm)

ORDER CODE

Model				Measuring Length	
ALS 4	-	X	-	Different lengths from 50 to 1000 mm	
				Resolution	
				01 : 1μm	
				05 : 5μm	
				S : Sinusoidal	

فروشگاه کانون ابزار

Atek Sensor Technologies

تلفن : 021 66 39 39 00
 موبایل : 0912 147 3023
www.ali5.ir



Tuzla KOSB Organize Sanayi Bölgesi Melek Aras Bulvarı, No:67 34956 Tuzla-İstanbul / TURKEY



Tel: +90 216 399 44 04



Fax: +90 216 399 44 02



www.ateksensor.com



info@ateksensor.com