



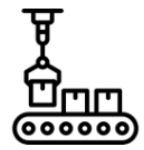
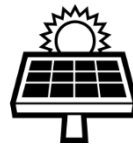
GENERAL FEATURES

- Non-contact measurement with magnetic principle
- Incremental output
- 58 mm body diameter
- 6 mm, 8 mm or 10 mm shaft options
- Resolution options between 1 pulse and 1024 pulses
- 3000 RPM operating speed
- Heavy environmental conditions and vibration resistant, IP67 protection class
- High sensitivity
- Robust structure, long service life

ARK S 58 series rotary encoders measure with magnetic principle and work contactless. They give incremental digital pulse signal output. They have different resolution values between 1 pulse and 1024 pulses. With their high IP67 protection class, they can work in harsh environmental conditions. Optionally, different cable length, socket model and shaft diameter can be requested.

APPLICATION FIELDS

- Wind Applications / Power Plants
- Marine or Utility Vehicle Applications
- Press or Wood and Stone Processing Machinery
- Construction Machinery
- Cranes
- Offshore Applications
- Servo-motors
- Packaging and production lines
- Automation and robots
- Commercial Solar Plants

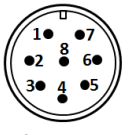




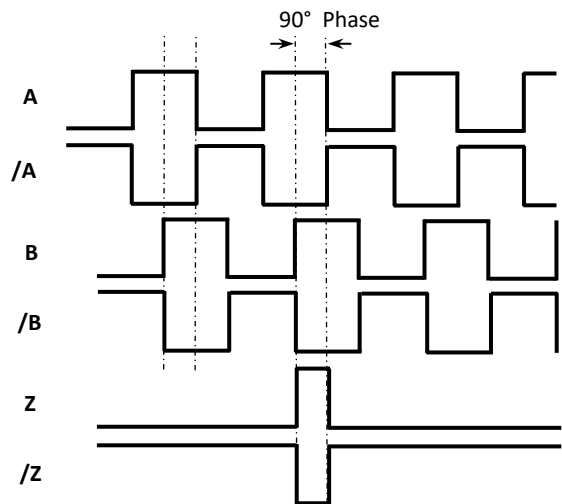
TECHNICAL SPECIFICATIONS

Max. Operating Speed	3000 RPM
Measuring Type	Magnetic, non-contact
*Resolution	All resolution values between 1 and 1024 pulses
*Supply Voltage	TTL: 5 VDC PP: 10...30VDC
Current Consumption	50 mA nominal
*Output Type	Push pull, TTL Line Driver, Open Collector
*Output Signals	A, /A, B, /B, Z, /Z
Operating Temperature	-25...+85 °C
Storage Temperature	-40...+85 °C
*Electrical Connection	M16 socket 5 x 0,14mm ² shielded cable (outer diameter: 5 ±0,2 mm) (When output signal is selected as 2 or 3) 8 x 0,14mm ² shielded cable (outer diameter: 6,5 ±0,2 mm) (When output signal is selected as 4 or 6)
*Shaft Diameters	6 mm, 8 mm or 10 mm
Protection Class	IP67
Weight	~330 gr
Material	Body: Aluminium Shaft: Stainless Steel

Note: The specifications indicated by (*) vary according to the model selected. The detailed code table for product selection is shown on page 3.

ELECTRICAL CONNECTION

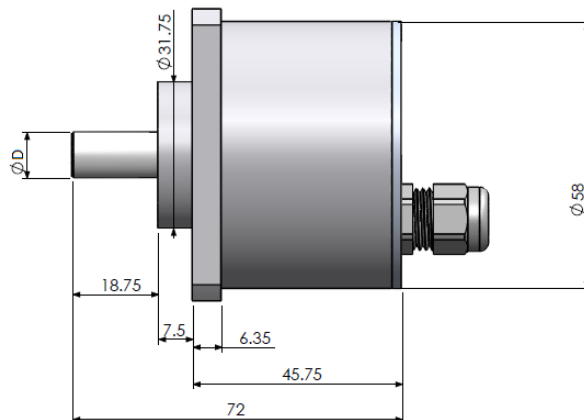
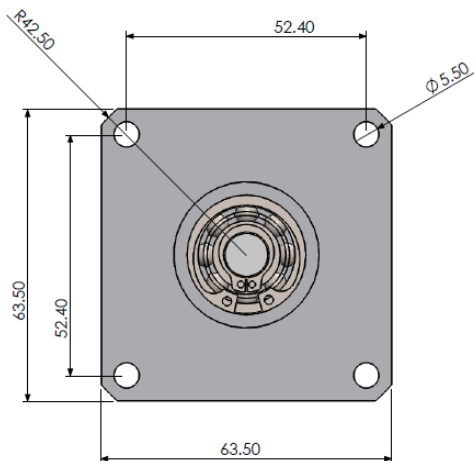
 M16 / 8 PIN MALE SOCKET PIN NO	 SIGNAL	 CABLE COLOR
1	A	YELLOW
2	/B	WHITE
3	+V	RED
4	0 V	BLACK
5	/A	BLUE
6	B	GREEN
7	/Z	GREY
8	Z	PINK



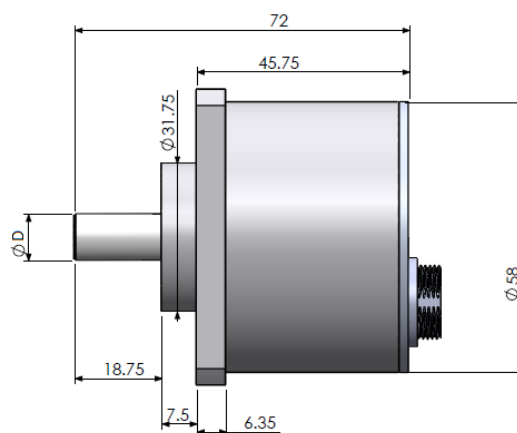
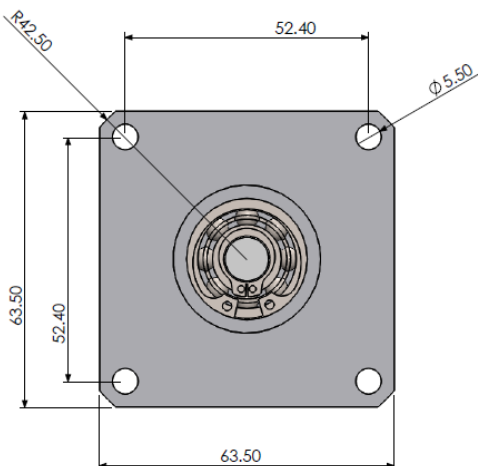
The table above shows the cable colors of the sensor output signals. If the control circuit is suitable in the Line Driver sensors of the not output signals (/A, /B, /Z) have to be added to the system. If it is not suitable /A, /B, /Z signal cables must be fixed as insulated separately. Don't forget that these edges have electricity too.

MECHANICAL DIMENSIONS (mm)

Cable From Backside

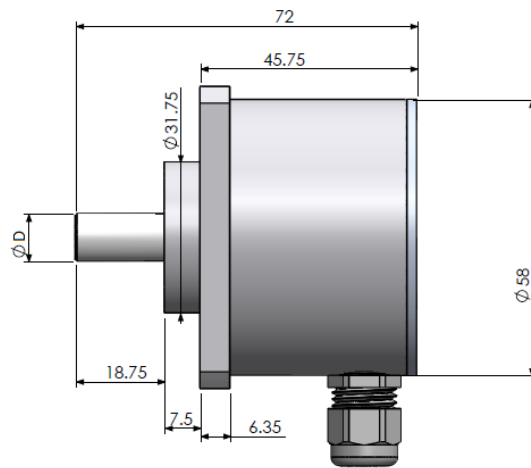
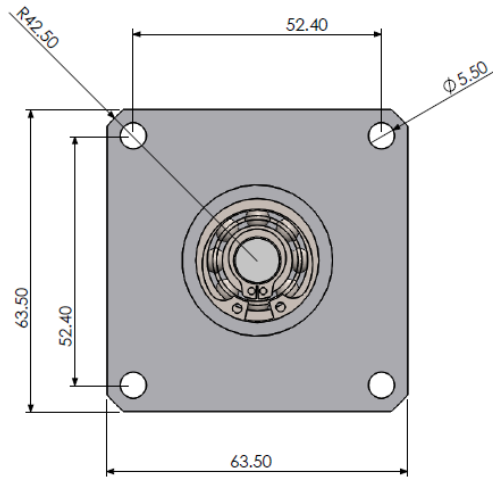


Connector From Backside

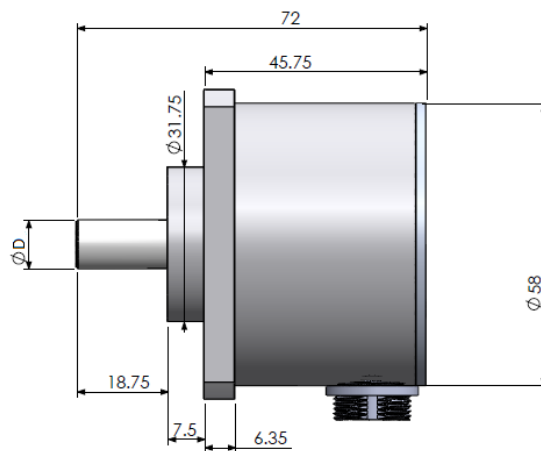
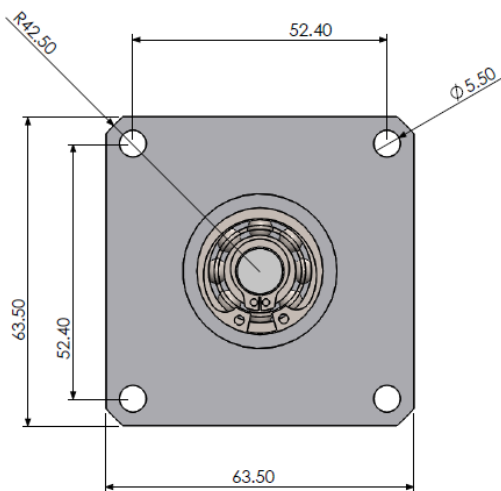


*D= 6 mm, 8 mm or 10 mm are available.

Cable From Side



Connector From Side



*D= 6 mm, 8 mm or 10 mm are available.

PRODUCT CODE

Model		Body Diameter		Supply and Output			Electrical Connection		Shaft Diameter	
58 : 58 mm		58 : 58 mm		PP : 10...30 VDC Supply : 10...30VDC Output TTL : 5 VDC Supply : 5 VDC TTL RS422 Line Driver Out. HTL : 10...30 VDC Supply : 5 VDC TTL RS422 Line Driver Out. HPL : 5...30 VDC Supply : 5...30 VDC Push-Pull Output OCL : NPN Open Collector OCP : PNP Open Collector			3M : 3 m cable 5M : 5 m cable 10M : 10 m cable S14 : M16 / 8 pin Male Socket		6 : 6 mm 8 : 8 mm 10 : 10 mm	
ARK	X	XXX	XXXX	XXX	X	XX	XX	XX	XX	XX
Shaft Type		Resolution		Output Signals			Cable or Connector Direction			
S : Shaft		All resolution values between 1 and 1024 pulses are available		2 (A,B) 3 (A,B,Z) 4 (A,/A,B,/B) 6 (A,/A,B,/B,Z,/Z)			A : From backside Y : From side			

* Please contact for other (customized) options.