

## ARS T 20 Series

“Magnetic Non-Contact Measurement, 20 mm Body Diameter”



- Non-contact measurement with magnetic principle
- Resolution up to 1024 pulses
- 20 mm body, 15 mm rotor diameter
- High operation speed up to 30.000 RPM
- TTL Line Driver output
- High accuracy
- Robust structure, long operating life
- Compact design
- IP68 protection class

ARS T 20 series are non-contact magnetic incremental rotary encoders with high operating speed suitable for using in harsh environments.

They consist of 2 parts, the encoder body and rotor. They have long operating life as they make non-contact measurement. They work incrementally and offer resolution up to 1024 pulses. They are suitable for industries where high speed, IP protection sealing and excellent wear and temperature resistance are required.

فروشگاه کانون ابزار  
ali5.ir

021 6639 3900 - 0912 147 3023

## MECHANICAL DATA



<b>Dimensions</b>	Encoder: Ø20
	Rotor: Ø15
<b>Material</b>	Encoder: Aluminum
	Rotor: Aluminum
<b>Weight</b>	Encoder: ~20g (except cable)
	Rotor: ~5g

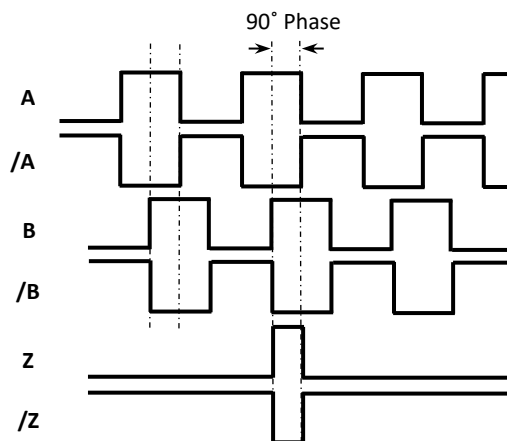
## ENVIRONMENTAL DATA

<b>Protection Class</b>	IP68
<b>Operating Temp.</b>	-40°C...+85°C
<b>Storage Temp.</b>	-40°C...+85°C

<b>Measuring type</b>	Magnetic, non-contact
<b>Resolution</b>	Resolution options between 1 and 1024 pulses
<b>Operating Speed</b>	30.000 RPM max.
<b>Response Frequency</b>	2 MHz
<b>Current Consumption</b>	35 mA
<b>Supply &amp; Output Type</b>	<b>TTL Line Driver</b>
	<b>Supply</b> 5 VDC
	<b>Output</b> 5 VDC TTL
<b>Output Signals</b>	A, /A, B, /B, Z, /Z
<b>Output Current</b>	100 mA max. (per channel)
<b>Electrical Connection</b>	5 or 8x0,14 mm <sup>2</sup> shielded cable (500 mm max)

## ELECTRICAL CONNECTION

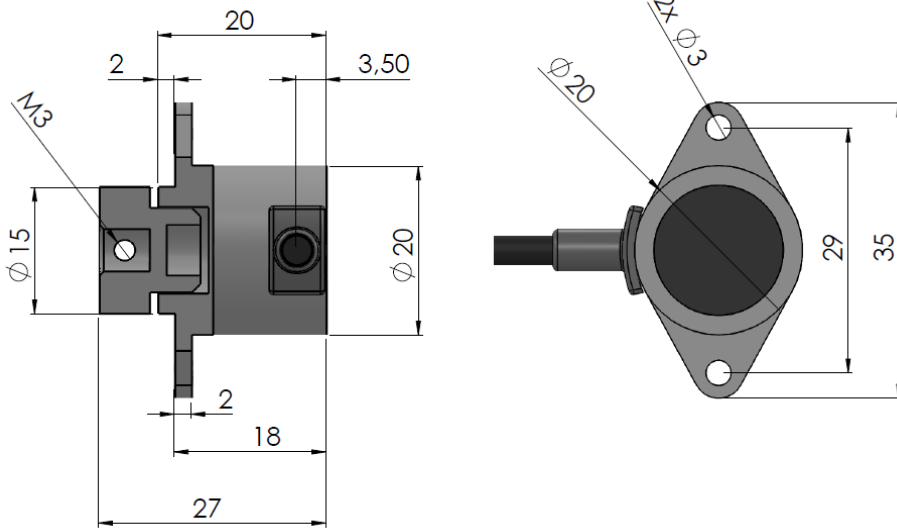
 SIGNAL	 CABLE COLOR
A	YELLOW
/B	WHITE
+V	RED
0 V	BLACK
/A	BLUE
B	GREEN
/Z	GREY
Z	PINK



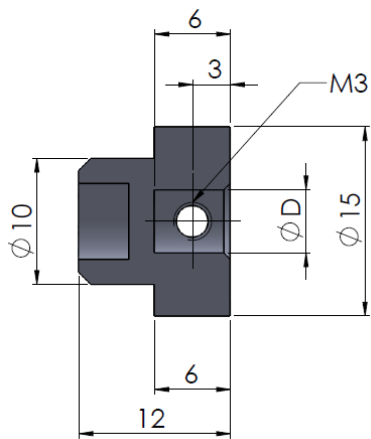
The table above shows the cable colors of the sensor output signals. If the control circuit is suitable in the Line Driver sensors of the not output signals (/A, /B, /Z) have to be added to the system. If it is not suitable /A, /B, /Z signal cables must be fixed as insulated separately. Don't forget that these edges have electricity too.

## MECHANICAL DIMENSIONS AND MAGNET POSITION TOLERANCES

### Body

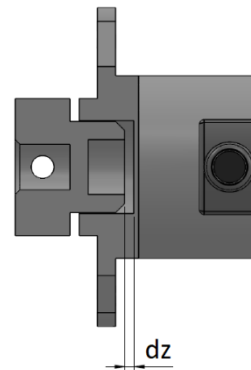


### Rotor



ØD: 5mm ... 8mm (standard)  
\*Optional others

### Air gap dz = 0,7 – 1,4 mm



## ORDER CODE

ARS	Type	XXX	Resolution	XXX	Output Signals	XX	Rotor Hole Diameter
ARS	T : Non-contact	XXX	All resolution options from 1 to 1024 pulses.	XXX	2 (A,B) 3 (A,B,Z) 4 (A,/A,B,/B) 6 (A,/A,B,/B,Z,/Z)	XX	Selectable from 5mm to 8mm *Optional others
<b>Model</b>		<b>Body Diameter</b>		<b>Supply and Output</b>		<b>Cable Length</b>	
		020 : 20 mm		TTL : 5 VDC Supply : 5 VDC TTL RS422 Line Driver Out.		500mm : 500mm (standard)	

فروشگاه کانون ابزار  
ali5.ir

021 6639 3900 - 0912 147 3023