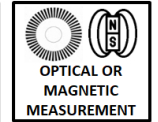
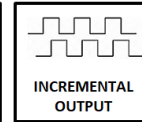




## GENERAL SPECIFICATIONS

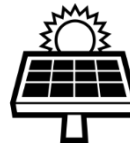
- Incremental measurement with Optical (ARC) or Magnetic (ARS) principle
- Resolution up to 20.000 pulses for Optical (ARC) and 1024 pulses for Magnetic (ARS)
- 50 mm body diameter
- 6 mm, 8 mm or 10 mm shaft options
- Optical (ARC): 6000 RPM, Magnetic (ARS): 3000 RPM operating speed
- 300 KHz response frequency
- High accuracy
- Robust structure, long operating life
- Connection with cable or socket
- IP54 protection class



The ARX S 50 series rotary encoders measure on an optical (ARC) or magnetic (ARS) principle and operate incrementally. The ARC series operating on the optical principle offers a resolution of up to 20.000 pulses per revolution and the ARS series operating on the magnetic principle up to 1024 pulses.

## APPLICATIONS

- Wind Applications / Power Plants
- Marine or Utility Vehicle Applications
- Press or Wood and Stone Processing Machinery
- Construction Machinery
- Offshore Applications
- Commercial Solar Plants
- Filling Plants
- Food & Beverage Applications
- Oil & Gas - Pipe Handling and Cranes



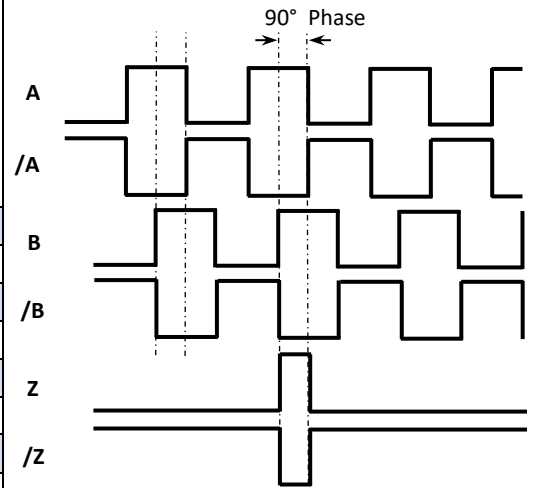
## TECHNICAL SPECIFICATIONS

<b>*Resolution</b>	ARC: Resolution options up to 20.000 pulses ARS: Resolution options between 1 and 1024 pulses
<b>Operating Speed</b>	ARC: 6000 RPM, ARS: 3000 RPM max.
<b>Measuring Type</b>	ARC: Optical, ARS: Magnetic
<b>Response Frequency</b>	300 KHz
<b>*Supply Voltage</b>	TTL: 5 VDC / PP: 10...30VDC
<b>Current Consumption</b>	50 mA nominal
<b>*Output Type</b>	Push Pull, TTL Line Driver, Open Collector
<b>*Output Signals</b>	A, /A, B, /B, Z, /Z
<b>Output Current</b>	100 mA max. (per channel)
<b>*Electrical Connection</b>	5 or 8x0,14 mm <sup>2</sup> shielded cable or M16 / 8 pin male connector
<b>Body Diameter</b>	50 mm
<b>*Shaft Diameter</b>	6 mm, 8 mm or 10 mm
<b>Operating Temperature</b>	-25...+85 °C
<b>Storage Temperature</b>	-40...+100 °C
<b>IP Protection Class</b>	IP54
<b>Weight</b>	~180 gr
<b>Material</b>	Body: Aluminum Shaft: Stainless Steel

**Note:** The specifications indicated by (\*) vary according to the model selected. The detailed code table for product selection is shown on page 3.

## ELECTRICAL CONNECTIONS

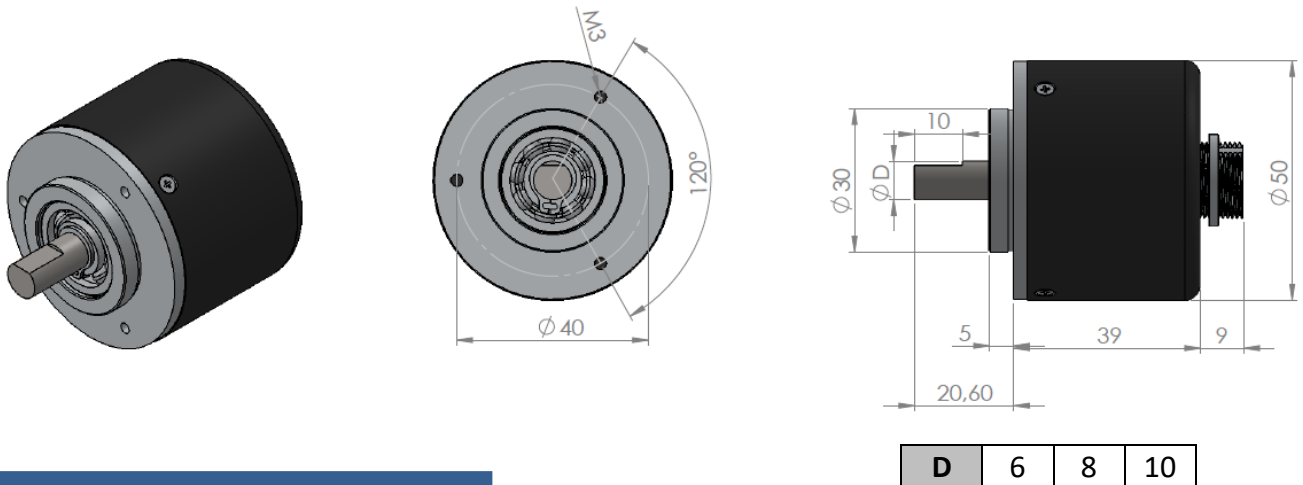
SIGNAL	M16 MALE (S16) SOCKET PIN NO	M16 CABLE TYPE MALE SOCKET (S21M) PIN NO	M16 CABLE TYPE FEMALE SOCKET (S21F) PIN NO	CABLE COLOR
A	1	1	1	YELLOW
/B	2	2	2	WHITE
+V	3	3	3	RED
0 V	4	4	4	BLACK
/A	5	5	5	BLUE
B	6	6	6	GREEN
/Z	7	7	7	GREY
Z	8	8	8	PINK



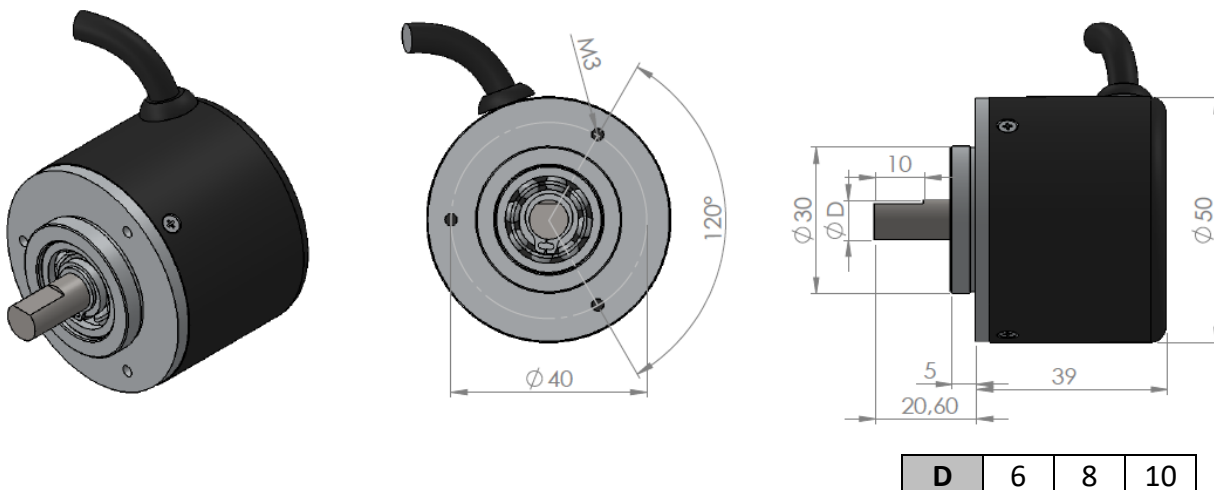
The table above shows the cable colors of the sensor output signals. If the control circuit is suitable in the Line Driver sensors of the not output signals (/A, /B, /Z) have to be added to the system. If it is not suitable /A, /B, /Z signal cables must be fixed as insulated separately. Don't forget that these edges have electricity too.

## MECHANICAL DIMENSIONS (mm)

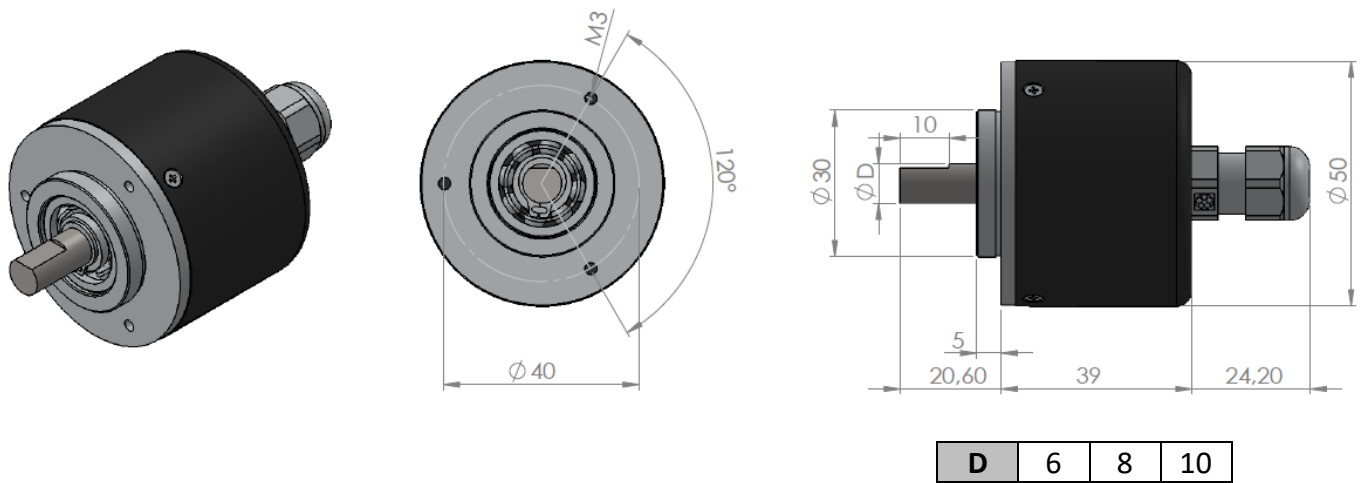
### Clamping Flange, M16 Socket



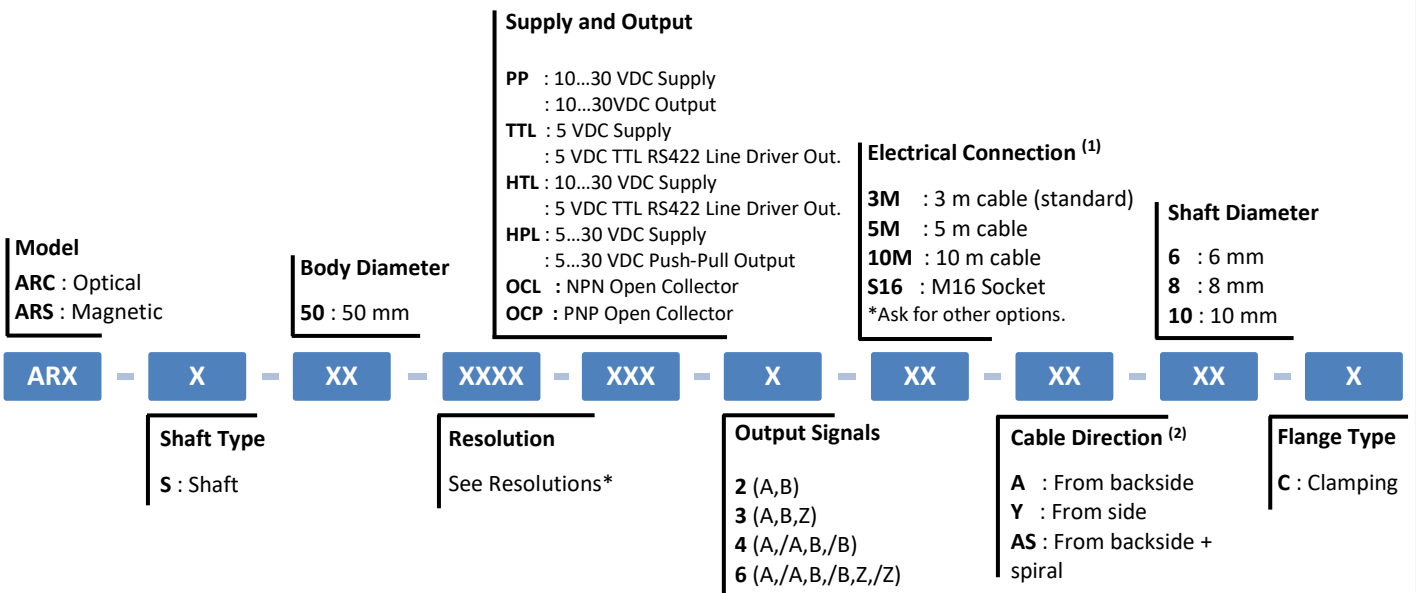
### Clamping Flange, Cable From Side



## Clamping Flange, Cable From Backside



## PRODUCT CODE



- (1) The M16 (S16) socket can only be from the backside. Optionally, different cable lengths or socket models can be requested.  
 (2) Cable direction can be selected from backside or side  
 PG7 gland is used when the cable direction is from the rear, PG7 gland is not used when the cable direction is from the back.

\* Please contact for other (customized) options.

### \*Resolutions:

**Optical:** 60 - 100 - 360 - 500 - 1024 - 2000 - 2048 - 2500 - 3600 - 4096 - 5000 - 8192 - 10000 - 16384 - 20000 (Optional)  
**Magnetic:** All resolution options from 1 to 1024 pulses.

### Sample Coding:

**ARC-S-50-1024-PP-6-10M-A-8-C**

Optical, with shaft, 50 mm body diameter, 1024 pulses, Push-Pull, 6 output signals, 10 meters cable from backside, 8 mm shaft, clamping flange

فروشگاه کانون ابزار

Atek Sensor Technologies

تلفن : 021 66 39 39 00  
 موبایل : 0912 147 3023  
 www.ali5.ir

Tuzla KOSB Organize Sanayi Bolgesi Melek Aras Bulvari, No:67 34956 Tuzla-Istanbul / TURKEY



Tel: +90 216 399 44 04



Fax: +90 216 399 44 02



www.ateksensor.com



info@ateksensor.com