

MAINOR® KTC拉杆系列



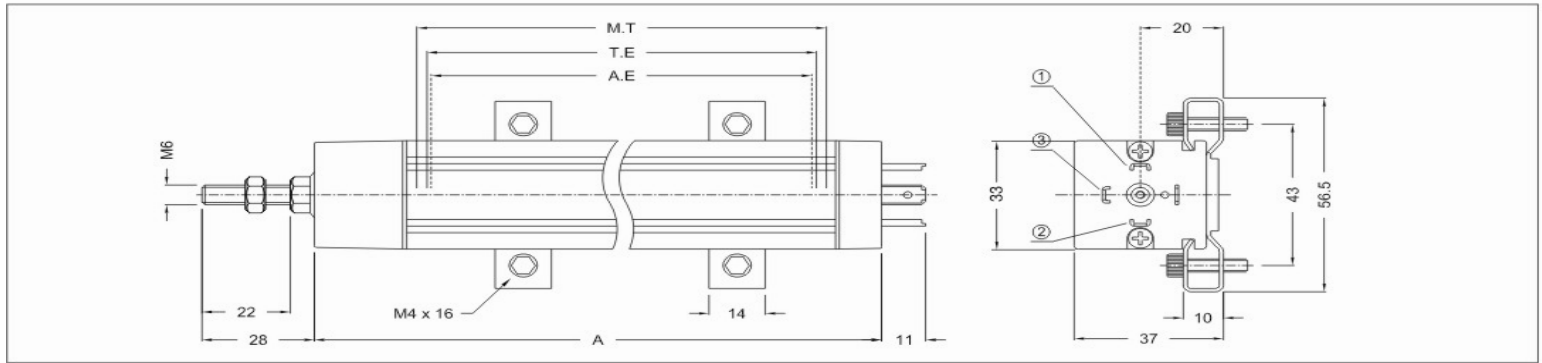
Built-in signal processing, DIN connector; Universal joint; Stroke range: 0-1250mm; Analog output: 0-5V, 0-10V, 4-20mA; Axial traction structure; Application: injection moulding machine, rubber machine, die-casting machine, shoe machine, bottle-blowing machine, hydraulic & pneumatic equipment etc

KTC Rod Type Series	mm	75	100	110	125	130	150	175	200	225	250	275	300	325	350	375	400
Total Electrical Travel (T.E)	mm	80	105	115	130	135	155	180	205	230	255	280	305	330	355	380	405
Active Electrical Travel (A.E)	mm	75	100	110	125	130	150	175	200	225	250	275	300	325	350	375	400
Resistance Range $\pm 20\%$	k Ω	5.0															
Independent Linearity	$\pm \%$	0.05															
Mechanical Travel (M.T)	mm	82	107	117	132	137	157	182	207	232	257	282	307	332	357	382	407
Output		Voltage Divider															
Resolution		Infinite															
Operating Temperature	C°	-50 + 120															
Dimensions A	mm	154	179	189	204	209	229	254	279	304	329	354	379	404	429	454	479

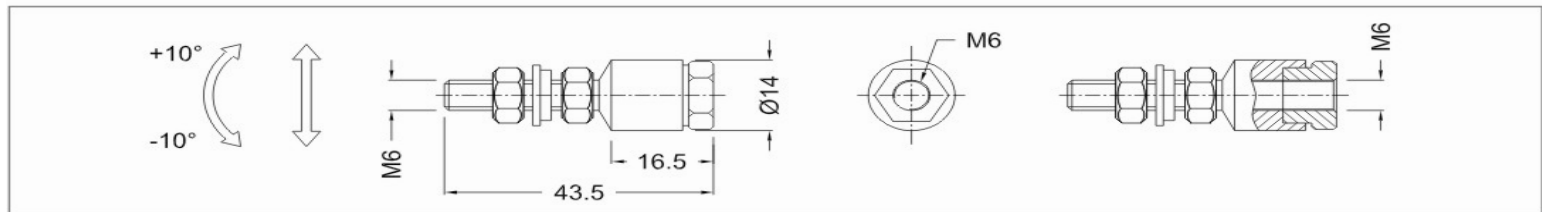
KTC Rod Type Series	mm	425	450	475	500	550	600	650	700	750	800	850	900	950	1000	1150	1250
Total Electrical Travel (T.E)	mm	430	455	480	505	555	605	655	705	755	805	855	905	955	1005	1155	1255
Active Electrical Travel (A.E)	mm	425	450	475	500	550	600	650	700	750	800	850	900	950	1000	1150	1250
Resistance Range $\pm 20\%$	k Ω	10.0															
Independent Linearity	$\pm \%$	0.05															
Mechanical Travel (M.T)	mm	432	457	482	507	557	607	657	707	757	807	857	907	957	1007	1157	1257
Output		Voltage Divider															
Resolution		Infinite															
Operating Temperature	C°	-50 + 120															
Dimensions A	mm	504	529	554	579	629	679	729	779	829	879	929	979	1029	1079	1229	1329

Dimensions for reference only and subject to change without prior notice.

Mechanical Dimension KTC 尺寸 KTC 拉杆式



Ball and socket coupling 球窩連軸器



Tel: 021 66 3939 00
 Mob: 0912 147 3023
 www.IranAtek.ir