

GENERAL FEATURES

- One-side actuating rod
- Potentiometric measurement
- Potentiometric, 4-20 mA or 0-10V analog output options
- Standard IP40, optional IP65 protection
- Optionally cable or DIN 43650-C socket connection
- Measurement lengths between 10 mm and 300 mm
- Long life up to 100 million movements
- High accuracy
- High operating speed up to 5 m/s
- Compact design

On the LF series position transducers, the movable shaft does not protrude from the rear of the ruler. In this way, it can be easily installed in confined spaces.

They work as ABSOLUTE because they are measuring with the potentiometric principle, that is, they do not lose their position in case of power off. Potentiometric, 4-20 mA (optional 0-20 mA) or 0-10V analog output options are available.

Because of their linearized conductive plastic resistance alloy and special contacts, they are not affected by wear and operate for a long time with a life cycle of up to 100 million. They are stable by being linear and they measure evenly.

TECHNICAL SPECIFICATIONS

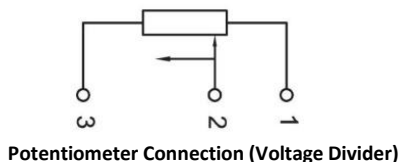
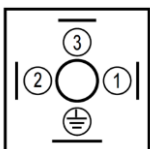
Model	LF 010	LF 025	LF 050	LF 075	LF 100	LF 125	LF 150	LF 200	LF 250	LF 300
Electrical Stroke (mm)	10	25	50	75	100	125	150	200	250	300
Mechanical Stroke (mm)	12	27	52	77	102	127	152	202	252	302
Independent Linearity	±%1	±%0,5	±%0,4	±%0,25	±%0,2	±%0,2	±%0,2	±%0,1	±%0,1	±%0,1
Repeatability	0.01 mm									
Max Operating Speed	5 m/s									
Resistance Element	Conductive Plastic									
Resistance	5K, 10K (optional other)									
Output Signal	4-20 mA (optional 0...20 mA), 0-10V or Potentiometric									
Supply Voltage	For current and voltage output models: 12...30 VDC For potentiometric output model: 42V max.									
Electrical Connection	DIN 43650-C socket or 3 x 0,14 mm ² shielded PVC cable									
Operating Temperature	-30°C...+100°C									
IP Protection Class	IP40 (optional IP65)									
Life	100 million movements									
Rod Material	Stainless Steel									
Body Material	Aluminum									

ELECTRICAL CONNECTIONS

SIGNAL	CABLE COLOR	DIN 43650-C SOCKET
+VDC	Red	Pin 1
Output Signal*	Yellow	Pin 2
-VDC	Black	Pin 3

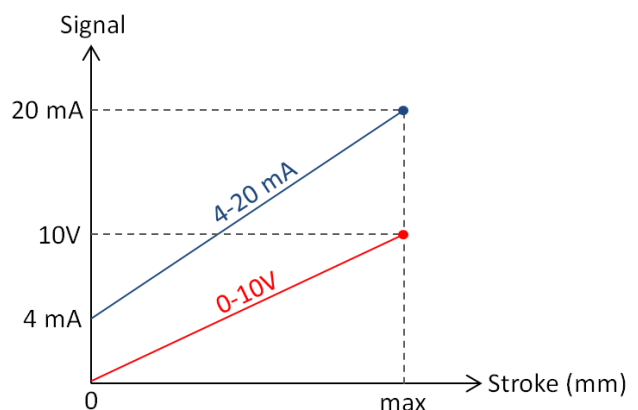
* **Output Signal** may be potentiometric, 0-10 VDC or 4-20 mA depending on the model (See Product code table).

DIN 43650-C SOCKET



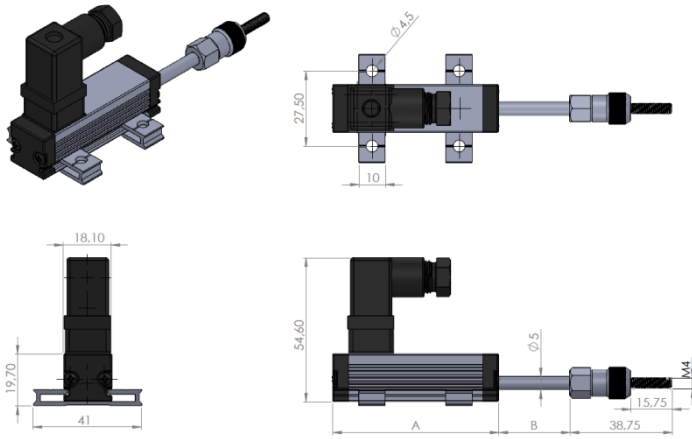
Note: The GND line of the feed and signal output is common. Therefore it can be connected with 3-wire cable

Analog Output Signal Graphic

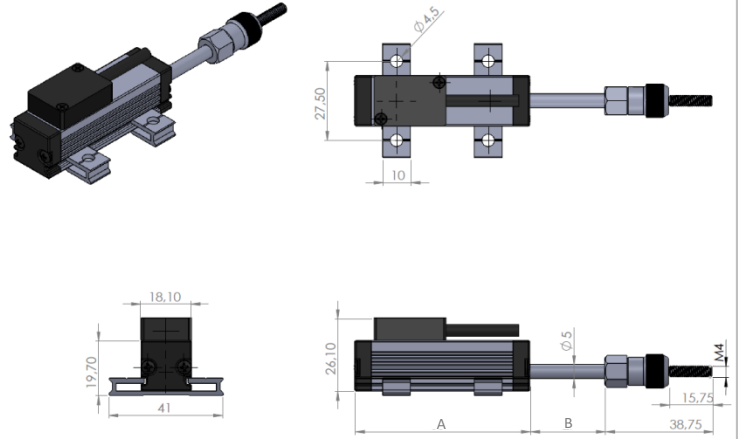


MECHANICAL DIMENSIONS (mm)

MODEL WITH DIN 43650-C SOCKET



MODEL WITH 3 x 0,14 mm² CABLE

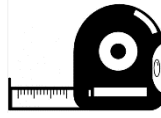
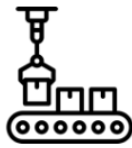


	Stroke (mm)	10	25	50	75	100	125	150	200	250	300
Potentiometric Output (with cable or socket)	A	48	63	88	113	138	163	188	238	288	338
	B	12	27	52	77	102	127	152	202	252	302
0-10 V or 4-20 mA Output (with cable)	A	48	63	88	113	138	163	188	238	288	338
	B	12	27	52	77	102	127	152	202	252	302
0-10 V or 4-20 mA Output (with socket)	A	82	97	122	147	172	197	222	272	322	372
	B	12	27	52	77	102	127	152	202	252	302

*Dimensions above belong to IP40 body. Ask for IP65 body dimensions.

SAMPLE APPLICATION FIELDS

- Measuring /control technology
- Manufacturing engineering like woodwork machines, riveting machines, packaging machines and welding machines etc.
- Assembly / test devices
- Medical applications
- Building technology



ORDER CODE

Model No

LFR	-	XXX	-	X	-	XX	-	XX	-	XXXX
-----	---	-----	---	---	---	----	---	----	---	------

Measuring Lengths (stroke)

Different measuring lengths between 10 mm and 300 mm

Resistance Value

5K: 5KΩ
10K: 10KΩ

Protection

No code: IP40
IP65: IP65

Output Signal

A: 4-20 mA (*Optional 0-20 mA)
V: 0-10 VDC
No Code: Potentiometric

Electrical Connection

No Code: DIN43650-C socket
2M: 2 meters PVC cable (standard)
(*Optionally different cable lengths)



فروشگاه کانون ابزار

تلفن : 021 66 39 39 00
موبایل : 0912 147 3023
www.ali5.ir

Atek Sensor Technologies

Tuzla KOSB Organize Sanayi Bölgesi Melek Aras Bulvarı, No:67 34956 Tuzla-Istanbul / TURKEY

Tel: +90 216 399 44 04

www.ateksensor.com

Fax: +90 216 399 44 02

info@ateksensor.com

DS-LF.002 Rev No:1