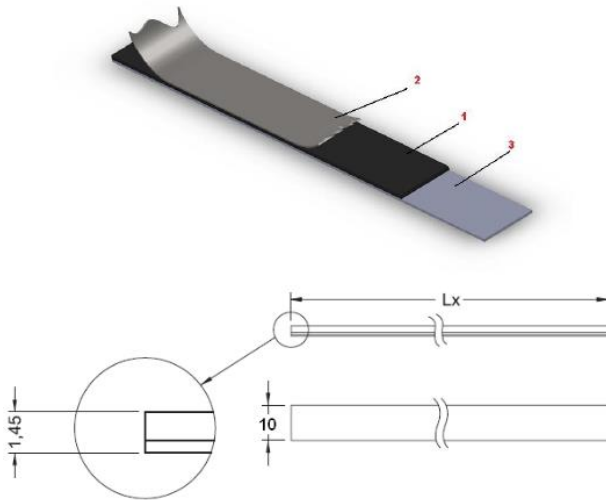




- Easy Installation
- Robust and flexible construction
- 5 mm or 2 mm pole distance
- Measuring up to 100 meters
- Dust, oil and moisture insensitive
- IP67 protection class
- Nitrile rubber

The magnetic tape is physically protected by a stainless steel shield with no magnetic properties. B series magnetic tape can be cut at desired dimensions. The magnetic tape consists of 3 layers:

- 1. Flexible Nitrile Rubber Magnetic Tape:** Featured with equally spaced magnetic properties. It is measured by this feature.
- 2. Steel Protection Sheet (Upper):** This sheet prevents the tape from being damaged due to external factors. There is adhesive tape on it to stick to magnetic tape. Used with magnetic tape.
- 3. Sub Protection Sheet:** Layer 3 is the most solid layer and is therefore delivered separately for transport and application needs. The first layer is gummed by the user. The steel tape is magnetically neutral and is used to protect the magnetic tape from physical effects.



Technical Specifications

Operating temperature	- 40°C to +120°C
Ambient temperature	- 40°C to +120°C
Pole Distance	5 mm or 2 mm
Accuracy	$\pm 18 \mu\text{m}/\text{m}$ or $\pm 20 \mu\text{m}/\text{m}$
Temperature Coefficient	$11 \pm 1 \mu\text{m} / \text{K}$
Protection	CrNi 17 7 Stainless Steel Sheet Oil, dust, etc. Insensitive

WARNING (!) The proximity of the band with comparator, magnet or similar instruments having a magnetic effect, disrupts the working structure of the band. The product should be kept away from devices that generate this type of magnetic field.

Order Details

Model

B - **X** - **X** - **X** - **X** - **X** - **X** - **X** - **X** - **X** - **X** - **mm**

Accuracy Class

18 :18 μm
20 :20 μm

Pole Distance

5 :5 mm
2 :2 mm

Magnetic Tape Length

50mm to 10 meters, user-defined