



GENERAL FEATURES

- Non-contact measurement with return spring system
- 12 bit resolution
- User-selectable angle values up to 120°
- 0-10 VDC, 4-20 mA or ratiometric output options
- Resistant to harsh environmental conditions and vibration
- IP54 protection class
- Long service life
- Compact design
- High accuracy

RCB 3100 series return spring angle sensors make non-contact measurement with magnetic principle. They have a measuring range up to 120°. The measured angular position is transmitted via analog interfaces such as 0.5-4.5V, 0-10V or 4-20 mA.



RCB 3100 series sensors with 12 bit resolution and high accuracy provides long and stable operation. Thanks to its compact structure, it provides quick and simple installation. Optionally, different analog output signals, measuring range (angle value) or cable length can be requested.

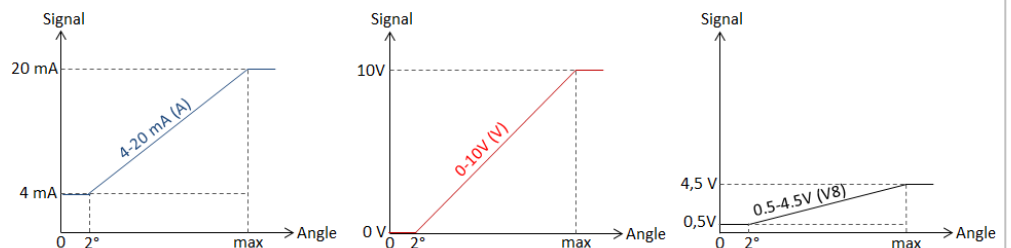
TECHNICAL SPECIFICATIONS

*Measuring Range	Can be produced in the desired range up to 120 °			
Measuring Type	Magnetic, non-contact			
Linearity	±%0.5 FS			
Resolution	12 bit			
Repeatability	0.1°			
Response Frequency	250 Hz			
*Output Signal		Ratiometric	0...10VDC	4...20 mA
	Supply Voltage	5 VDC	15...32 VDC	9...32 VDC
	Load	≥ 1KΩ	≥ 1KΩ	0...250 Ω
Current Consumption	30 mA max.			
Reverse Polarity Protection	Yes, only supply			
Electrical Connection	3 x 14 mm ² shielded cable and superseal connector			
Max Operational Speed	120 RPM			
Protection Class	IP54			
Operating Temperature	-25°C ... +85°C			
Material	Body: Aluminum			
	Shaft: Stainless Steel			

Note: The specifications specified by (*) vary depending on the model selected. The detailed code table for product selection is shown on page 3.

ELECTRICAL CONNECTION

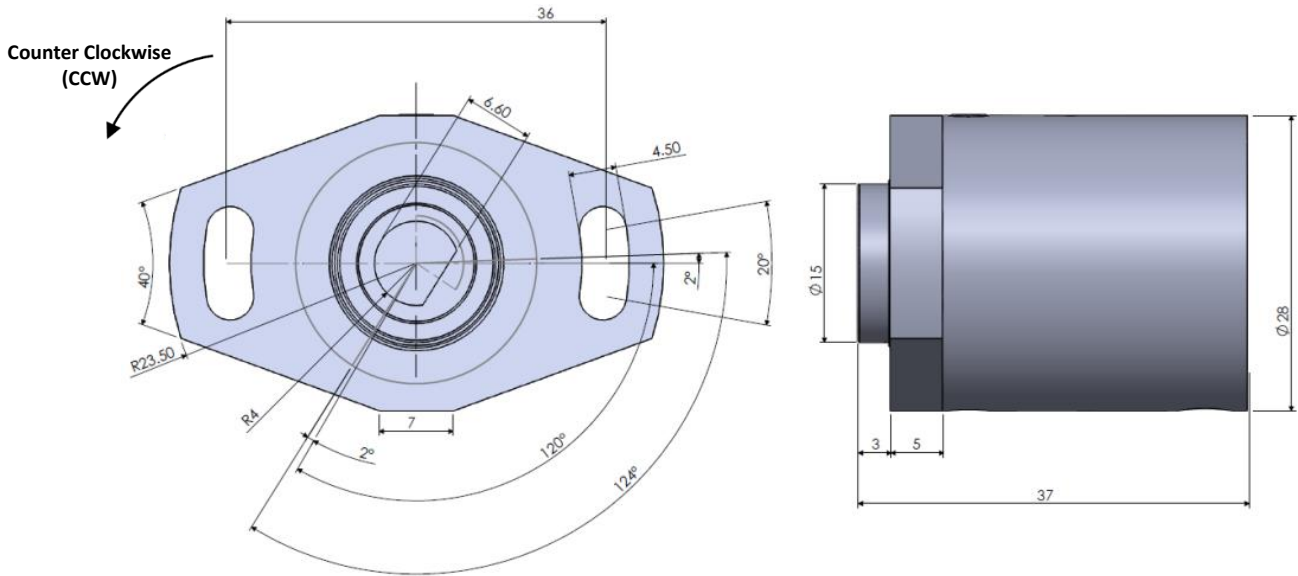
	
SIGNAL	SUPERSEAL CONN.
+V	Pin1
Output Signal*	Pin2
0V	Pin3



* Output Signal may be 0.5-4.5V, 0-10V or 4-20 mA depending on the model.

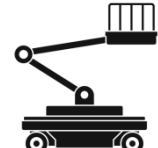
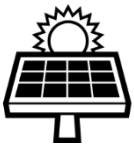
Note: The angle sensors have an area that is not measured approx 2°.

MECHANICAL DIMENSIONS (in mm)



SAMPLE APPLICATION FIELDS

- Robotic systems
- Auto parts
- Solar and photovoltaic systems
- Automated guided systems
- Crane and lifting technology
- Wind power plant



PRODUCT CODE

Model	Supply Voltage ⁽¹⁾	Output Signal Direction	Shaft Diameter
RCB 3100 - XXX - XXX - XX - XX - XXX - XXX - XXX	TTL: 5VDC PP: For 4-20mA output: 9...32VDC For 0-10V output: 15...32VDC	CW : Clockwise CCW: Counter Clockwise	8 : 8 mm
	Angle Value	Output Signal	Cable Length ⁽²⁾
	120 : 0...120° 045 : 0...45° 030 : 0...30°	A : 4-20 mA V : 0-10 V V8: 0.5-4.5 VDC	0.5M : 0,5 meters (std.)
			Connector Type
			S76: Superseal connector

- (1) When the output signal is selected as 4-20 mA or 0-10V, the supply voltage must be PP and when the ratiometric is selected, the supply voltage must be TTL.
- (2) Optionally, different cable lengths can be requested.

Sample Code: RCB 3100-030-PP-V-CW-0,5M-8-S76

RCB 3100 series, 0-30° measuring range, PP supply, 0-10V output, Output signal direction is clockwise, 0.5 m cable, 8 mm shaft, superseal connector

فروشگاه کانون ابزار

تلفن : 021 66 39 39 00
موبایل : 0912 147 3023
www.ali5.ir

Atek Elektronik Sensör Teknolojileri Sanayi ve Ticaret A.Ş.



Gebze OSB, 800. Sokak, No:814 Gebze/KOCAELI



Tel: +90 262 673 76 00



Fax: +90 262 673 76 08



www.ateksensor.com



info@ateksensor.com